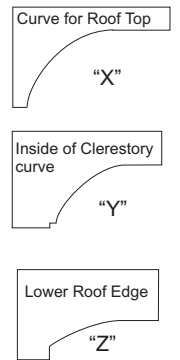
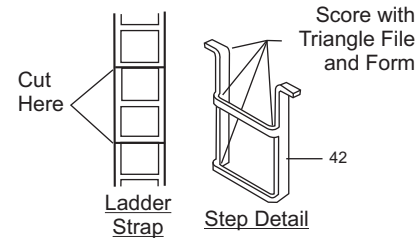
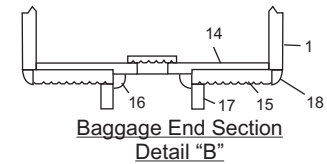
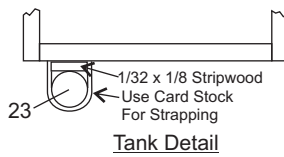
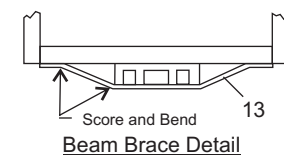
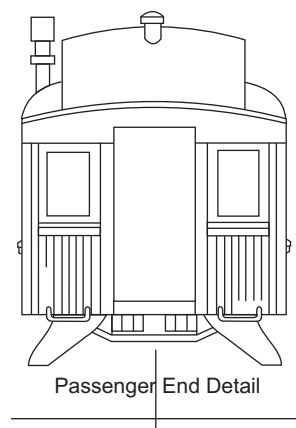
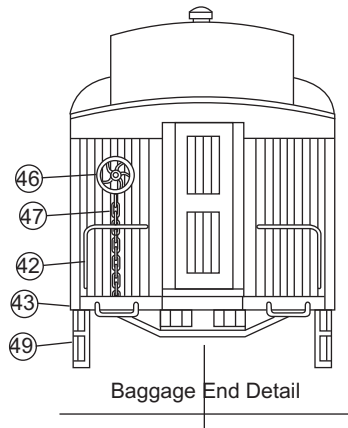
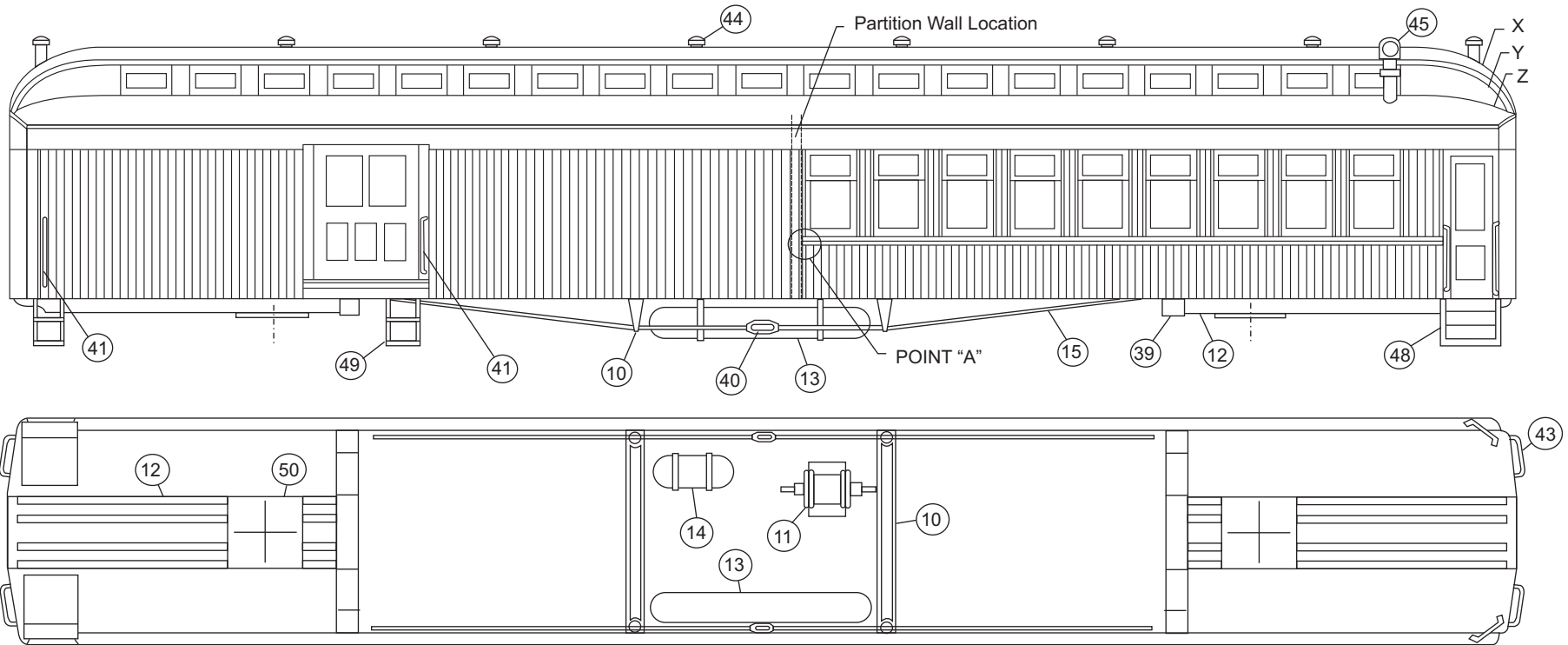
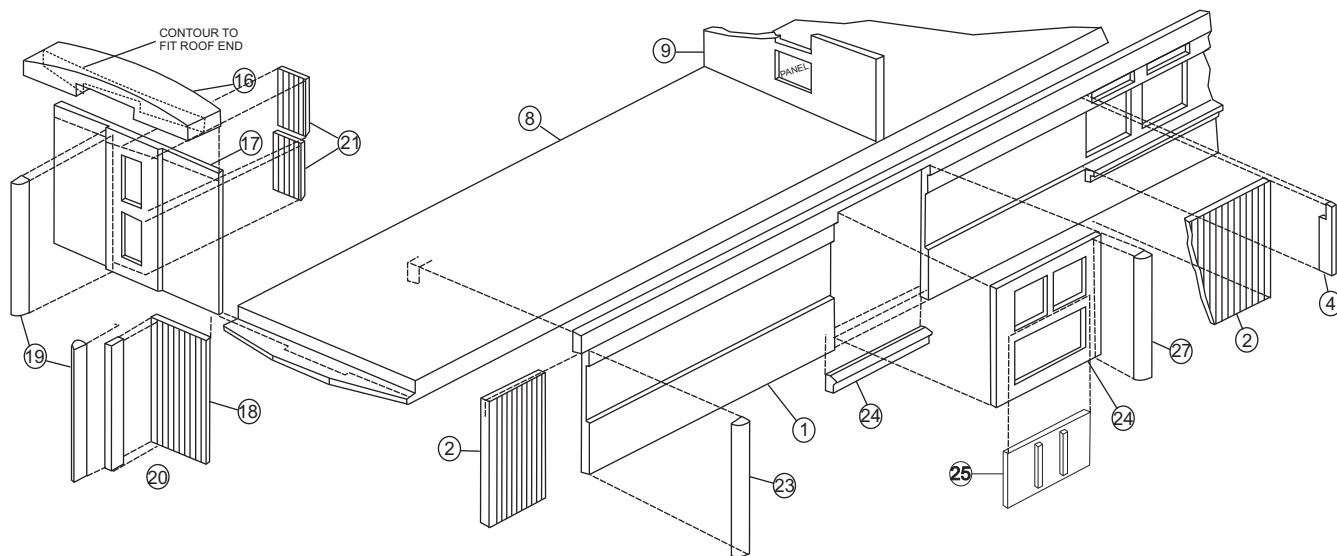
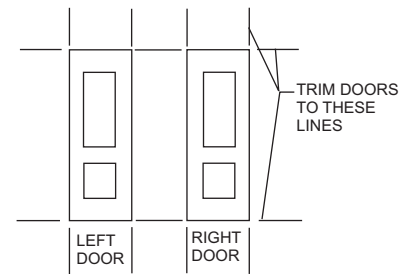
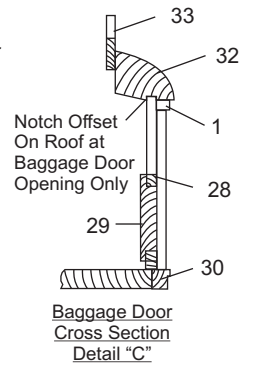
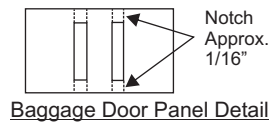
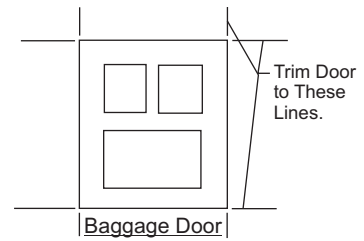
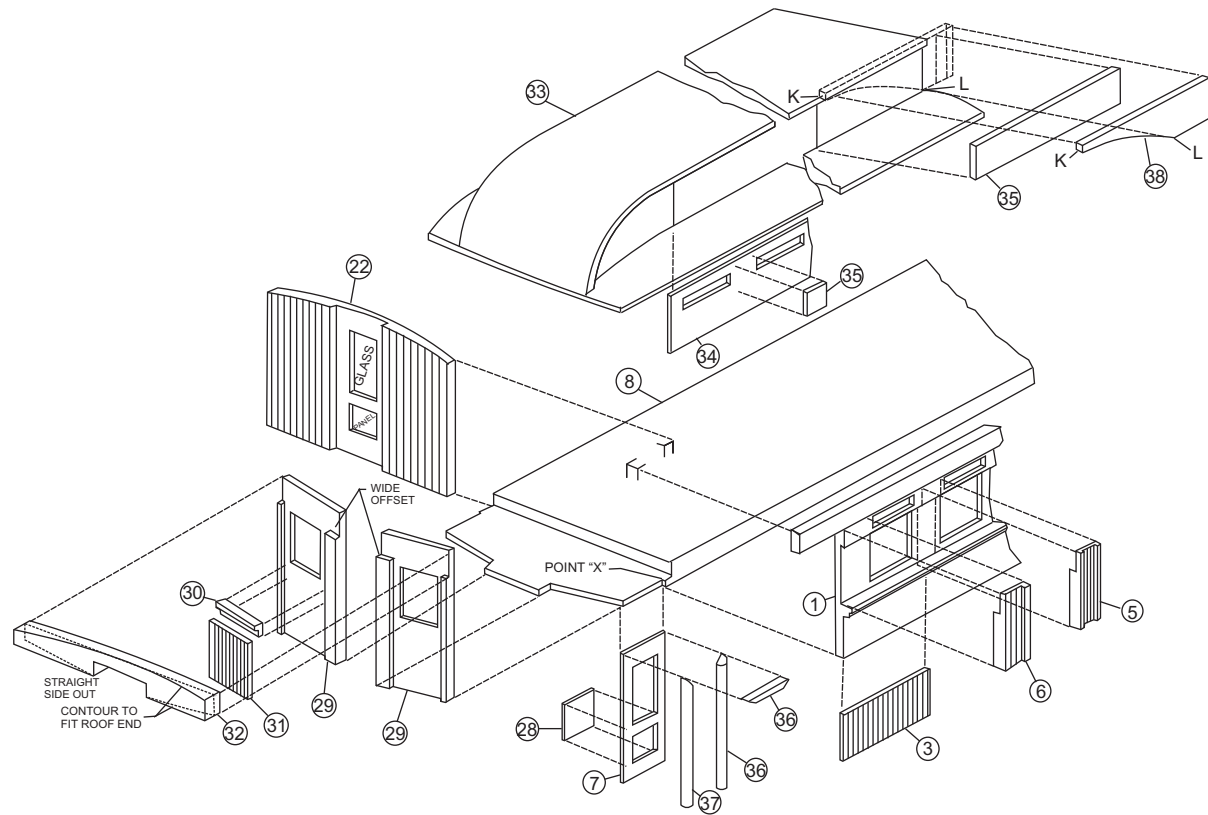


LABELLE WOODWORKING COMPANY

1900 COMBINATION CAR KIT No. HO-10



LaBelle Woodworking Company
 5101 Ridge Road
 Cheyenne, Wyoming 82009
 Phone : 307-433-9909 Fax: 307-433-9949
 Toll Free: 866-246-9967 (Voice Only)
 e-mail: info@labellemodels.com



1900 SQUARE WINDOW COMBINATION CAR LABELLE WOODWORKING COMPANY KIT HO-10

This is a Basic Body Kit of an Early 1900 Combination Car. It is not a “QUICKIE KIT”, and therefore it is suggested that the ISOMETRIC and PLAN DRAWINGS be studied THOROUGHLY, also that the Parts be sorted and noted as to where they are intended to be used. It is suggested that Assembly be followed by the NUMBERS in the Instructions which correspond with the NUMBERS on the ISOMETRIC and PLAN DRAWINGS.

Cut and remove Belt Rail from sub-sides (1) beyond Window openings as per POINT “A” on Plan Drawing, REPEAT for Opposite Side.

Cement in place Siding (2) and (3). NOTE: When making Siding Joints, make cuts so Scribe Spacing is Equal. Cut OFFSET Raised Shoulder (4) (STRIPWOOD COLORED ONE END RED) To fit between Letterboard and Belt Rail. NOTCH and cement in place against Siding. Separate and cement in place Window Posts (5). Cut End Window Posts (6) to approximate width from WIDE POST and cement in place with Raised Shoulder toward Window opening, making SURE Correct Window MARGIN is showing.

Trim and Sand Window Posts and Siding FLUSH with end of sub—sides and Baggage Door Openings. Now sand siding FLUSH with bottom of sides.

Cut ONE (1) RIGHT and ONE (1) LEFT Vestibule Door (7) to Size by placing on TEMPLATES on Plan Drawing. NOTE:

Make SURE SMOOTH SIDE of Doors are “UP” when placed on Templates. Cement Doors to back of sub-sides at TOP ONLY, keeping FLUSH with Bottom of Sides. NOTE: Make SURE SMOOTH SIDE of Doors are OUT and WIDE RAIL against end of Side.

Layout Top of Floor (8) for position of Partition Wall (9) and Bottom of Floor for Queenposts (10) Brake Cylinder (11) Beams (12) Gas Tank (13) Air Tank (14) and Truss Rods (15).

BAGGAGE END ASSEMBLY: Refer to Isometric Drawing and Detail “B”. Cement Letterboard (16) to End Wall (17).

NOTE: WIDE RAIL of Door is BOTTOM of End Wall. Cement on Scribed Siding (18). Cut to length 1/16 inch x 1/16 inch Quarter Round (19) and 1/16 inch x 1/8 inch Strip—wood (20) and cement in place as per Baggage End DETAIL “B”. Cement on Door Panels (21) from left over scribe siding, keeping UP 1/32 inch from BOTTOM. Cut and cement in place FULL LENGTH Door Panel for Partition Wall (9) and LOWER Door Panel for Bulkhead Wall (22) from 1/32 inch x 1/4 inch Stripwood, keeping UP 1/32 inch from BOTTOM. Cement in place Bulkhead Wall and Partition Wall, making SURE They are SQUARE.

Cement Sides to Floor, making SURE sides are FLUSH with BOTTOM of Floor and EDGE of Vestibule Doors are against NOTCH as per POINT “X” on Isometric Drawing.

IMPORTANT: “DO NOT” apply cement at Baggage Door Openings.

Cement in place Baggage End Assembly and 1/16 inch x 1/16 inch Quarter Round Corner Posts (23). Cut Baggage Doors (24) to SIZE as per TEMPLATE. Cut Baggage Door Panels (25) to SIZE, NOTCH and cement in place as per DETAIL. CUT OUT strip at bottom of Baggage Door Openings. Set completed Doors on Floor and cement at TOP ONLY. Cut to length Baggage Door Sills (26) and cement FLUSH with BOTTOM of Floor. Cut and cement in place Baggage Door Posts (27) from 1/16 inch x 1/16 inch Quarter Round. Cut and cement in place Vestibule Door Panels (28) from 1/32 inch x 1/4 inch Stripwood to Lower Openings on Vestibule Doors.

VESTIBULE END ASSEMBLY: Make up Two End Pieces (29) by cutting to length and cementing in place Belt Rail (30) making sure CORRECT MARGIN is maintained below Windows as per End Elevation. Cut to length and cement in place Thin Siding (31). Now cement a completed “RIGHT” and “LEFT” (29) to End Letterboard (32) making sure WIDE OFFSETS are to CENTER as per Isometric Drawing.

Assemble Roof (33) be cementing Window Inserts (34) inside of Roof as per Plan Drawing. Cut to length Window Casings (35) from 1/32 inch x 3/16 inch Stripwood as per Isometric and Plan Drawings and cement in place.

Row apply cement to end of Vestibule Floor and backside of Vestibule End Assembly at bottom. Temporarily place Roof on Car Body holding End Assembly Up under Roof contour and against end of Floor until cement has set.

Remove Roof and apply small fillet of cement where vestibule Ends meet Vestibule Doors. After Vestibule End Assembly has set, MITRE and cement in place Door Header Moulding and Side Moulding (36) 1/32 inch x 1/16 inch Quarter Round, also 1/16 inch x 1/16 inch Half Round Moulding (37). Now Sand Vestibule End Letterboards to MATCH Roof End Radius.

Sand Roof to Correct length leaving Overhang at Ends same as at Sides. Now make up TEMPLATES X, Y and Z from Card Stock and use to Check Contour at corresponding LINES X, Y and Z as per ROOF END NOTATIONS. Cut and sand Lower Roof Section using TEMPLATE "Z". Next use TEMPLATE "V" to make up Four (4) Overhang Pieces (38) from 3/64 inch x 1/2 inch x 4 inches long Stripwood as per Isometric Drawing. REMEMBER this is a CUT and FIT PROCEDURE. First cut off SMALL PORTIONS of Roof Overhang Pieces Until POINTS "K" and POINTS "L" of Roof Overhang Pieces fit as per ISOMETRIC Drawing and cement in place. Now cut and sand Roof Ends to MATCH TEMPLATE "X".

Cement in place Queenposts (10) Brake Cylinder (11) Beams (12) and 1/64 inch x 1/8 inch Stripwood Be& Braces (39) as per Beam Brace Detail, also Gas Tank (13) and Air Tank (14) as per Tank Detail. Drill holes and install NYLON TRUSS RODS (15) and Turnbuckles (40). Make up Handrails (41) (42) and install. Drill holes and install Grab Irons (43) Roof Vents (44) (Brass Escutcheon Pins), Chimney (45) Brake Wheel (46) and Chain (47) Steps (48) and Stirrup Steps (49) as per Detail. An EPOXY CEMENT is suggested for attaching all Castings.

NOTE: Position of Bolsters (50) (Truck Centers) will be determined by radius of curves car is to be operated over.

Car is ready for painting. After painting install Green Acetate for Windows in Roof. Clear Acetate for Side Windows and Doors.

Attach Diaphragms (not Supplied)



LaBelle Woodworking Company
5101 Ridge Road
Cheyenne, Wyoming 82009
Phone :307-433-9909 Fax: 307-433-9949
Toll Free: 866-246-9967 (Voice Only)
e-mail: info@labellemodels.com